

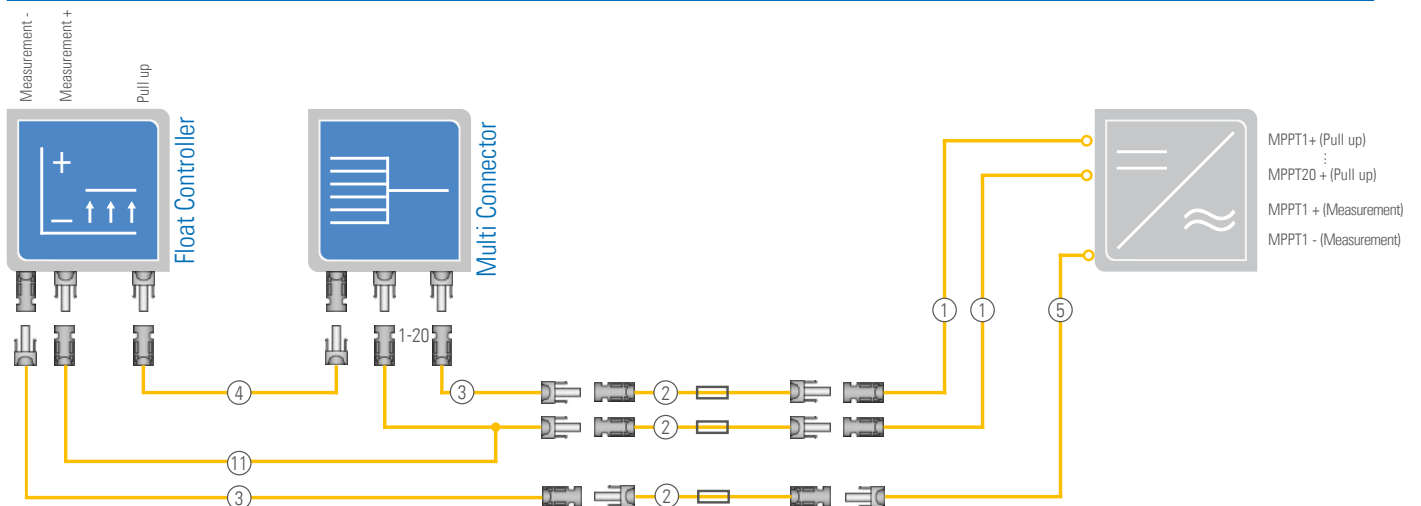


Multi Connector

Enables intelligent usage of Float Controller for Multi MPPT inverter

Please note: Illustrations may vary slightly from the product itself.

Float Controller CI with Multi Connector



General Information		Multi Connector 20	Multi Connector 8
Multi Connector operates only in combination with		Float Controller CI	Float Controller CI
Application range		Several inverters with multi MPPT operation	Inverter / String inverter with multi MPPT operation
MPPT/device		Max. 20 (e.g., 5 inverters each with 4 MPPT)	Max. 8
Housing			
Application		Outdoor / indoor	Outdoor / indoor
Material		ASA	ASA
Colour scheme		RAL 7035	RAL 7035
Mounting		Wall mounted	Wall mounted
Input parameters			
PV+ Pull up		MC4 plug	MC4 plug
Output parameters			
MPPT1-20		20x MC4 socket	8x MC4 socket
Dimensions & Weight			
Housing (width/height/depth)		360/255/125 mm	270/170/90 mm
Weight		Approx. 2,5 kg	Approx. 2 kg
Safety class & Environmental conditions			
Safety class according to EN 60529		IP 65	IP 65
Permissible ambient temperatures		-20 °C to +50 °C	-20 °C to +50 °C
Rel. ambient humidity, non-condensing		Up to 90 %	Up to 90 %
Altitude above sea level		Max. 2.000 m	Max. 2.000 m